

1188930
C350 IPOWER 230V 50HZ

3231790_1188930_R09W - R09W (20/10/2020)



Access Platform Division

Via San Francesco d'Assisi, 8 - 46020 Pegognaga (Mantova) - ITALY Tel. +39 0376
554011 - Fax +39 0376 559855

www.imergroup.com

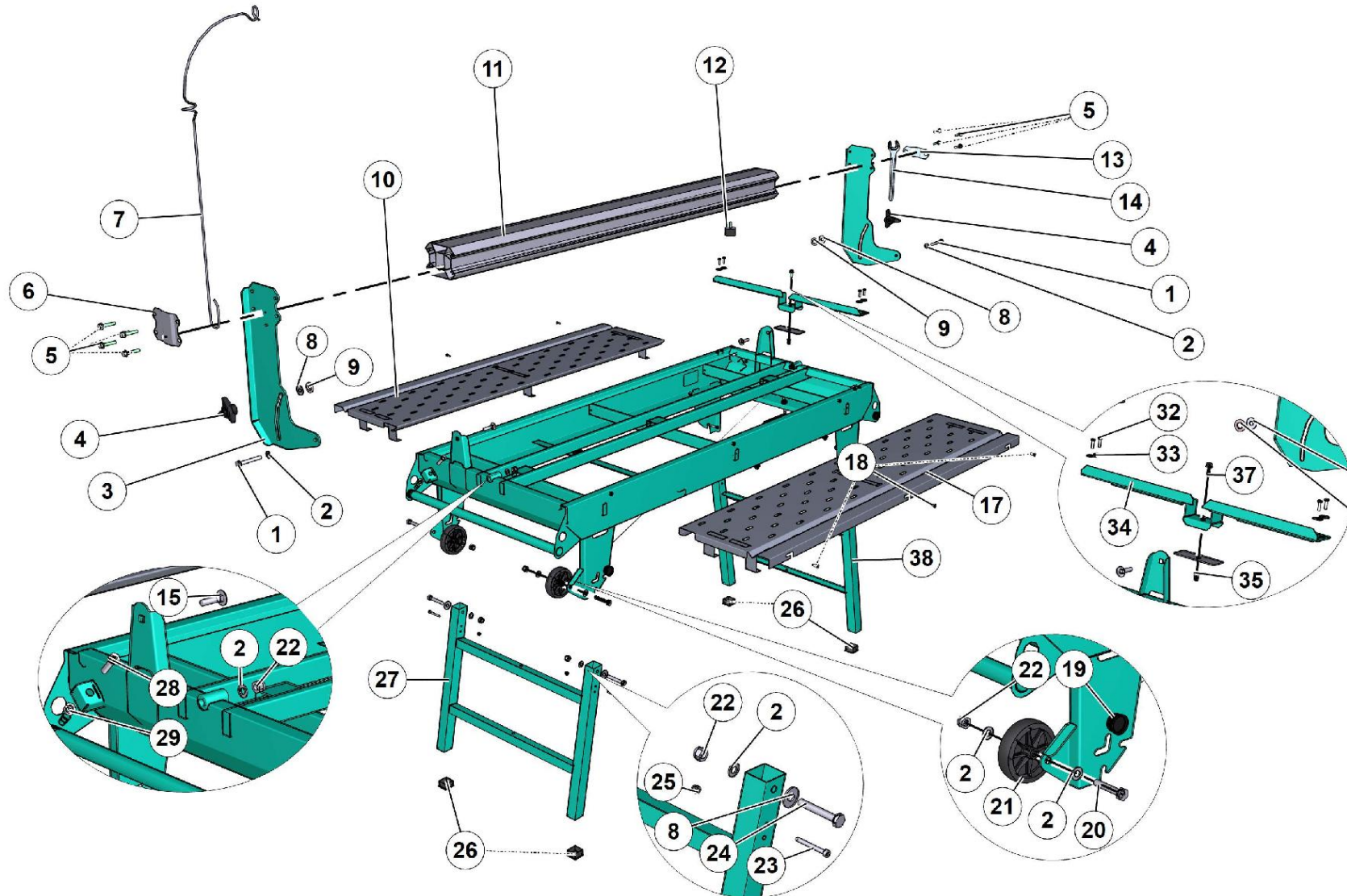
Building Equipment Division

Via della Meccanica, 39 (Zona Industriale Sentino) - 53040 Rapolano Terme
(Siena) - ITALY - Tel. +39 0577 97341 - Fax +39 0577 704077

www.imergroup.com

www.imerglobalcustomercare.com

FRAME





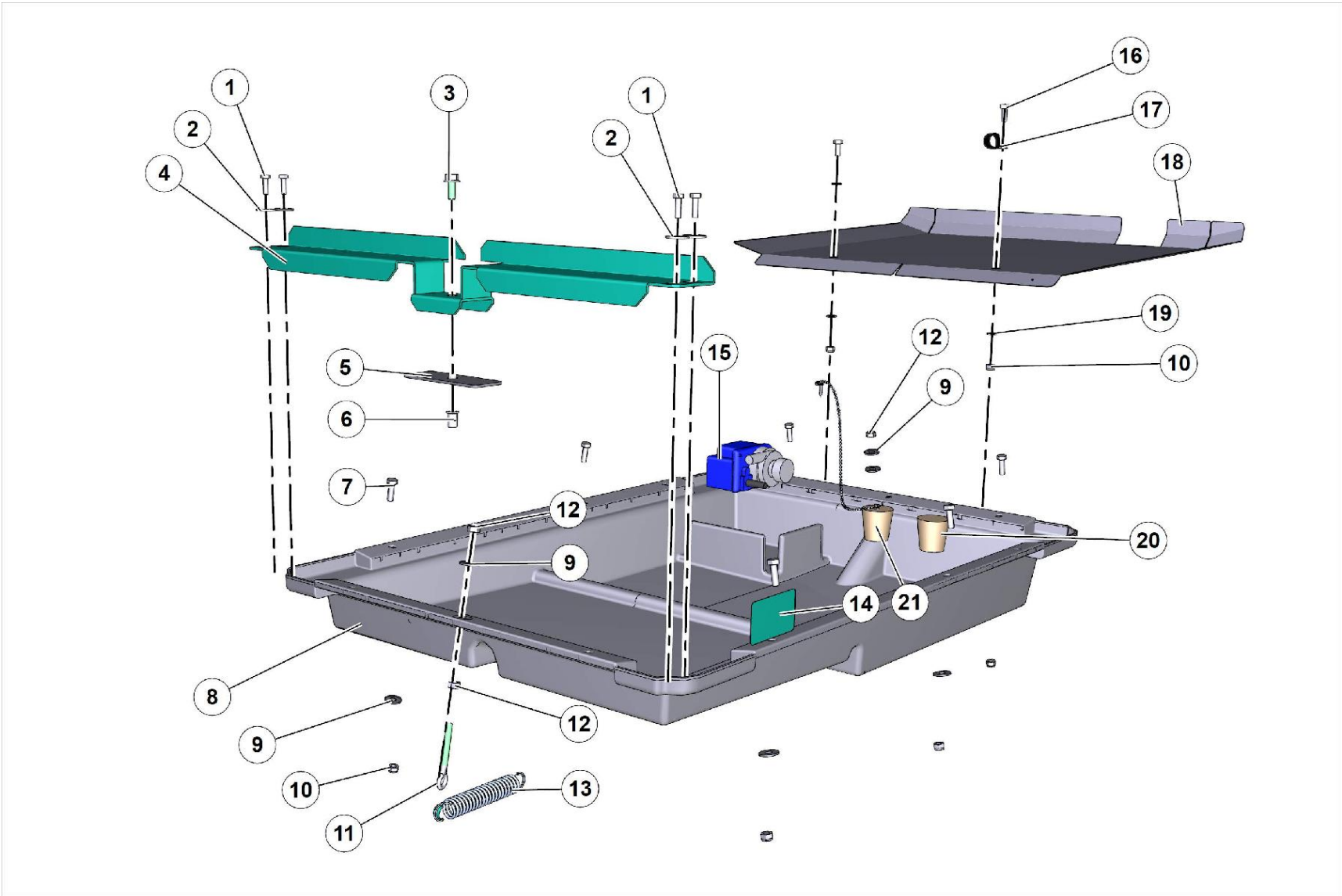
N.	CODE	DESCRIPTION	UM	QTY
1	2222151	SCREW TE 8.8 5737 10X 70 Z		2.0
10	3231419	PIANO RIGHT C350 iPOWER		1.0
11	3229856	C350 IPOWVER SLIDING GUIDE DRILLED		1.0
12	2265675	RUBBER STOP/SAW		1.0
13	3231927			1.0
14	2241472	SPANNER		1.0
15	2222480	SCREW		2.0
17	3231418	HOB LEFT C350 iPOWER		1.0
18	3224269	SCREW TSPEI 5933 6X 18 Z		6.0
19	3208452	PLUG		4.0
2	2224340	ROLLER/MORTAR PUMP		11.0
20	2222144	SCREW		2.0
21	3205257	WHEEL		2.0
22	2223920	SELF-LOCKING NUT		8.0
23	2222547	SCREW		4.0
24	2222148	SCREW		4.0
25	2223924	NUT		4.0
26	3201015	Terminal		4.0
27	3236866	PAINTED REAR LEG		1.0
28	2222073	SCREW/MN		2.0
29	2223650	NUT		2.0



N.	CODE	DESCRIPTION	UM	QTY
3	3237401			1.0
32	2222016	SCREW		4.0
33	2224049	WASHER		4.0
34	3237399			1.0
35	2224005	THREADED INSERT M8*9418-2822*		1.0
37	2222061	BOLT/CONC.MIXER		1.0
38	3236865	M400 SMART PAINTED FRONT LEG		1.0
4	3204743	KNOB/SAW		2.0
5	3234296	SCREW TRILOB. TEFR 8X40 Z		8.0
6	3231871			1.0
7	3231872	C350 iPOWER CABLE GUIDE ROD		1.0
8	2224260	WASHER		4.0
9	3230323	SPACER 16x30x5 GALVANIZED		2.0



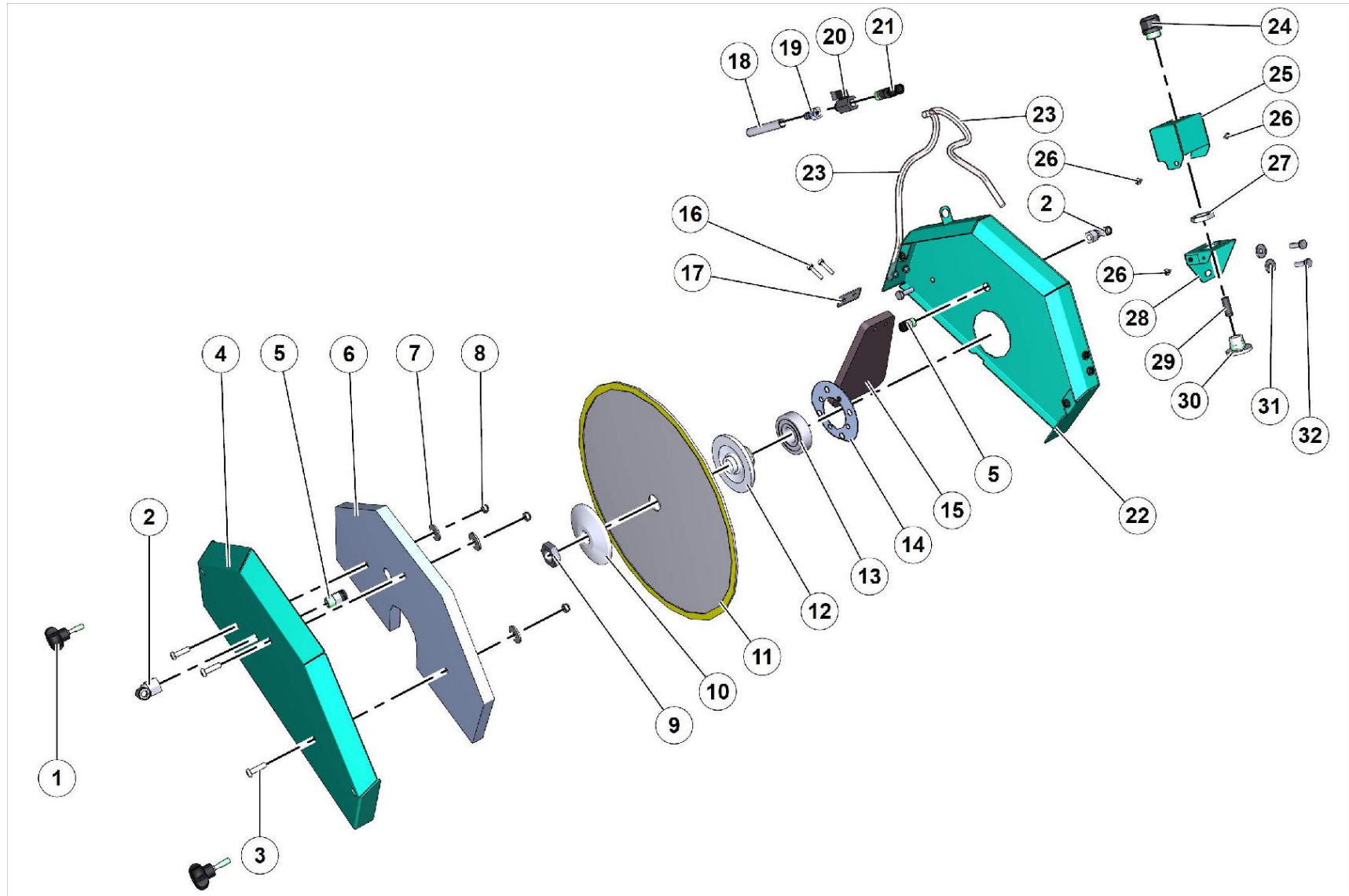
TRAY AND WATER PUMP





N.	CODE	DESCRIPTION	UM	QTY
1	2222016	SCREW		4.0
10	3210623	NUT		8.0
11	3231034	TIE-BEAM		2.0
12	2223570	NUT		4.0
13	3230973	M400 SMART LEGS SPRING		2.0
14	3231793	CUSTOMIZED RATING PLATE C350 iPOWER 230V		1.0
15	3234427	PUMP 230V 50HZ 50W 3.7m+MALE FASTON		1.0
16	2222060	SCREW		2.0
17	3205491	BAND D1-B20-V9-FOR8,4D.I20		1.0
18	3231420	WATER SLIDE		1.0
19	2224140	ROLLER 6593		2.0
2	2224049	WASHER		4.0
20	3231018	CONICAL RUBBER CAP D.45 X D.34 H45		1.0
21	3231093	COMPLETE BATH CAP M400 SMART		1.0
3	2222061	BOLT/CONC.MIXER		1.0
4	3237399			1.0
5	3231430			1.0
6	2224005	THREADED INSERT M8*9418-2822*		1.0
7	2222076	SCREW/SAW		6.0
8	3231003	WATER COLLECTION TANK M400 SMART		1.0
9	2224204	ROLLER/SAW		8.0

DISC GUARD



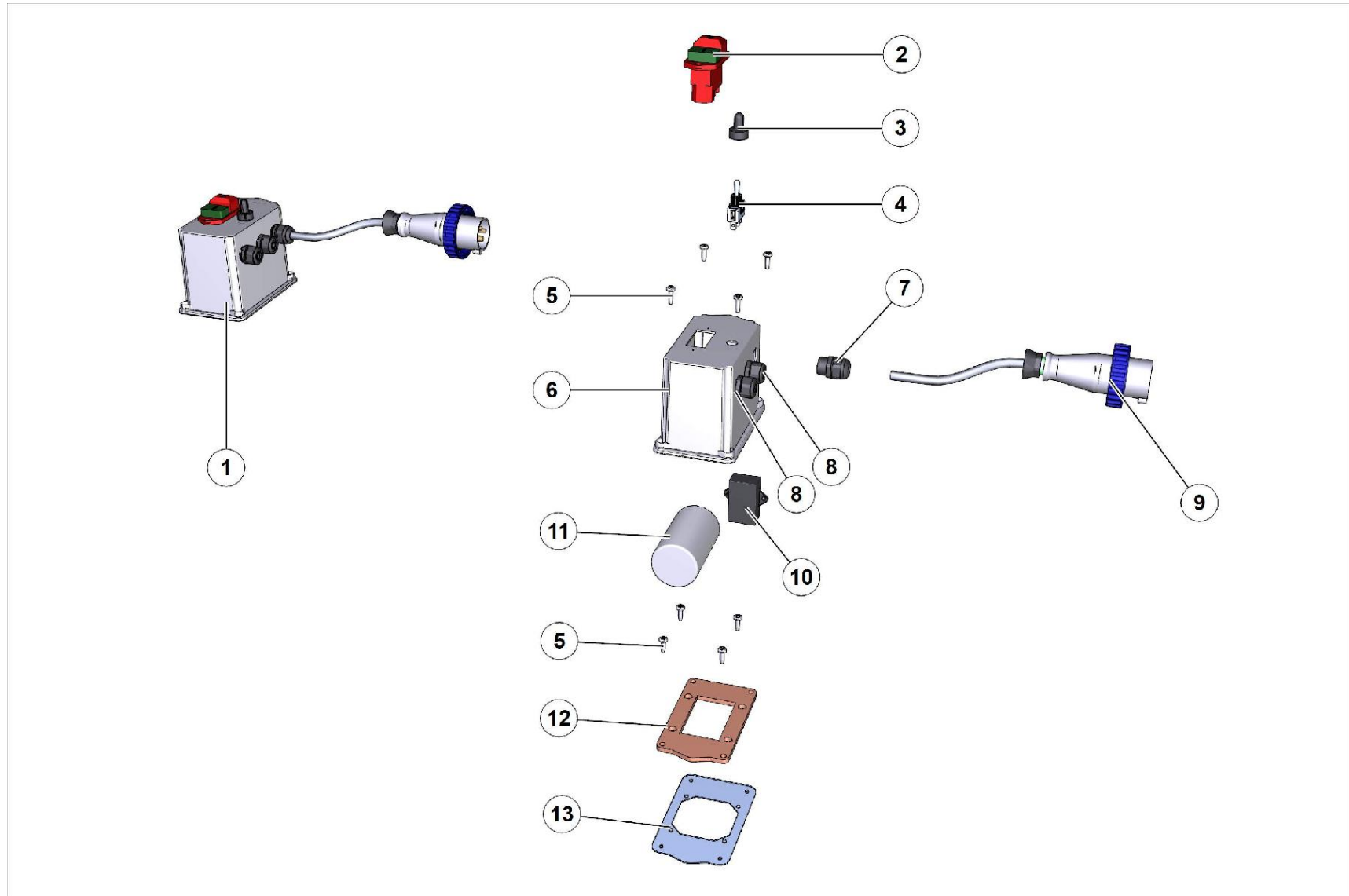


N.	CODE	DESCRIPTION	UM	QTY
1	3231012	4 LOBES M6 KNOB (UNLOADED THREAD)		1.0
10	3230964	M400 SMART EXTERNAL FLANGE		1.0
11	1193894	BLADE Ø 350 mm BRICK-CEMENT		1.0
12	3230965	M400 SMART INTERNAL FLANGE		1.0
13	3224763	BEARING 6305 2RS1		1.0
14	3231431	FIX RING CARTER C350 iPOWER		1.0
15	3230975	M400 SMART SPLASH GUARD		1.0
16	2222022	SCREW		2.0
17	3231004	M400 SMART SPLASH GUARD PLATE		1.0
18	3227803	TUBE		4.0
19	3228674	RUBBER HOLDER		1.0
2	3224366	COUPLING		2.0
20	3224206	BALL VALVE		1.0
21	3231015	'STRAIGHT AIR FITTING QUICK COUPLING 1/4		1.0
22	3236627	CARTER DISC C350 iPOWER MOUNTED		1.0
23	1272701	TUBE/SCREW PUMP		1.0
24	3201217	CABLE CLAMP		1.0
25	3231775	CARTER PER SUPPORT LASER C350 iPOWER		1.0
26	2222458	SCREW		3.0
27	3227489	NUT/SAW		1.0
28	3231776	SUPPORT LASER C350 iPOWER		1.0



N.	CODE	DESCRIPTION	UM	QTY
29	3228250	LASER LIGHT CLASS IIIA +GLASS PROTECTION		1.0
3	3206223	SCREW		3.0
30	3227483	ADJUSTMENT BLK/SAW		1.0
31	2224531	WASHER		2.0
32	2222002	SCREW		2.0
4	3237361			1.0
5	3231014	'STRAIGHT AIR FITTING QUICK COUPLING 1/4		2.0
6	3231373	'CARTER SOUND ABSORBING PANEL SMART CUT		1.0
7	2224049	WASHER		3.0
8	3211470	NUT		3.0
9	3208541	NUT		1.0

ELECTRIC PANEL

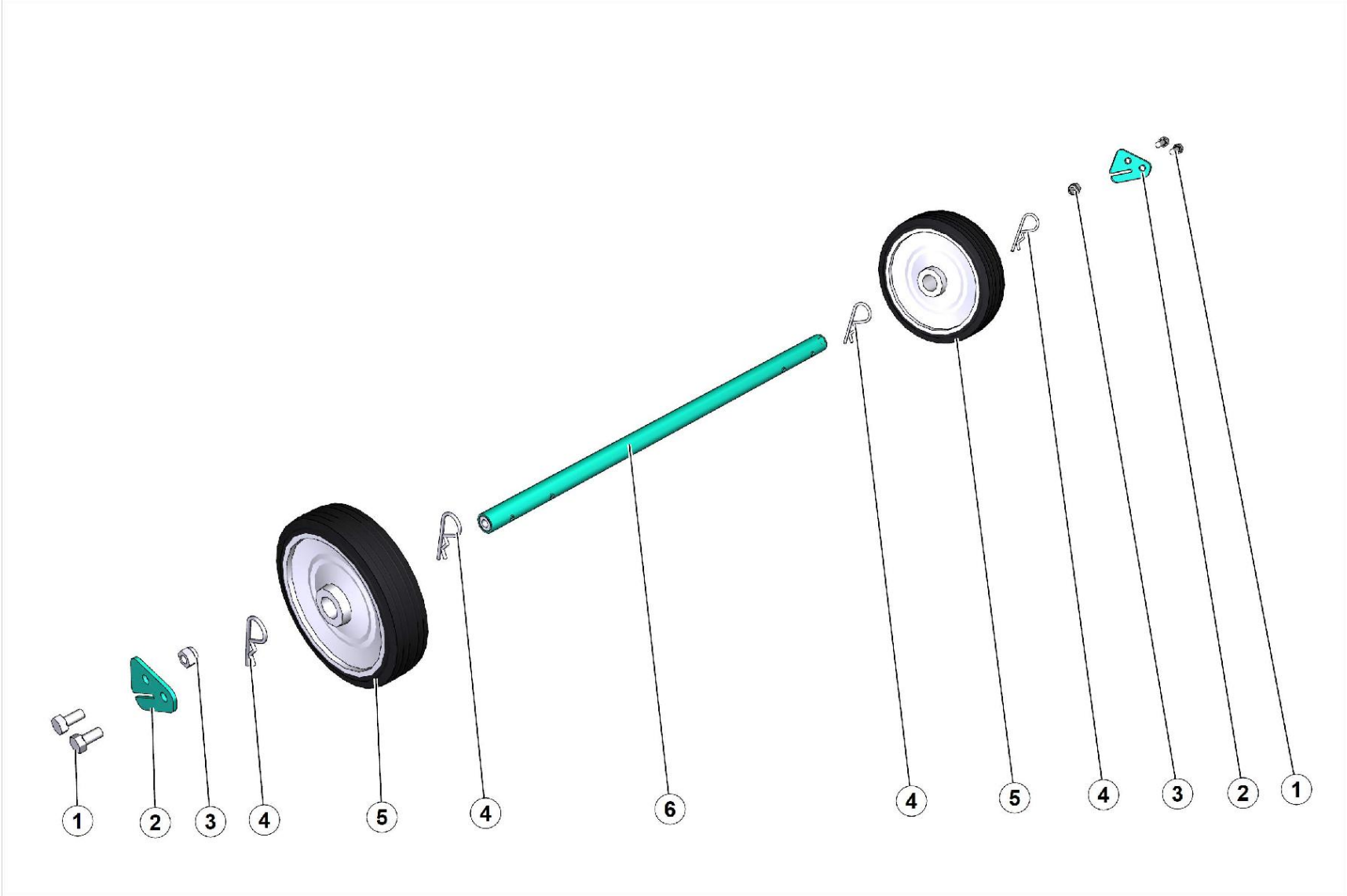




N.	CODE	DESCRIPTION	UM	QTY
1	3231700	ELECTRIC CONTROL PANEL C350 iPOWER 230V-		1.0
10	3228251	TRANSFORMER		1.0
11	3231995	CAPACITOR 60MF 450V 50/60HZ		1.0
12	3231442	C350 IPOWERGASKET ELECTRIC CONTROL PANEL		1.0
13	3231429	PLATE SUPPORT ELECTRIC CONTROL PANEL C35		1.0
2	3209337	SWITCH		1.0
3	3206171	PROTECTION SWITCH/SAW		1.0
4	3206170	SWITCH/SAW		1.0
5	2222465	SCREW		8.0
6	3231770	ELECTRIC CONTROL PANEL BOX C350 iPOWER		1.0
7	3209692	CABLE CLAMP		1.0
8	3201217	CABLE CLAMP		2.0
9	3203504	PIN		1.0



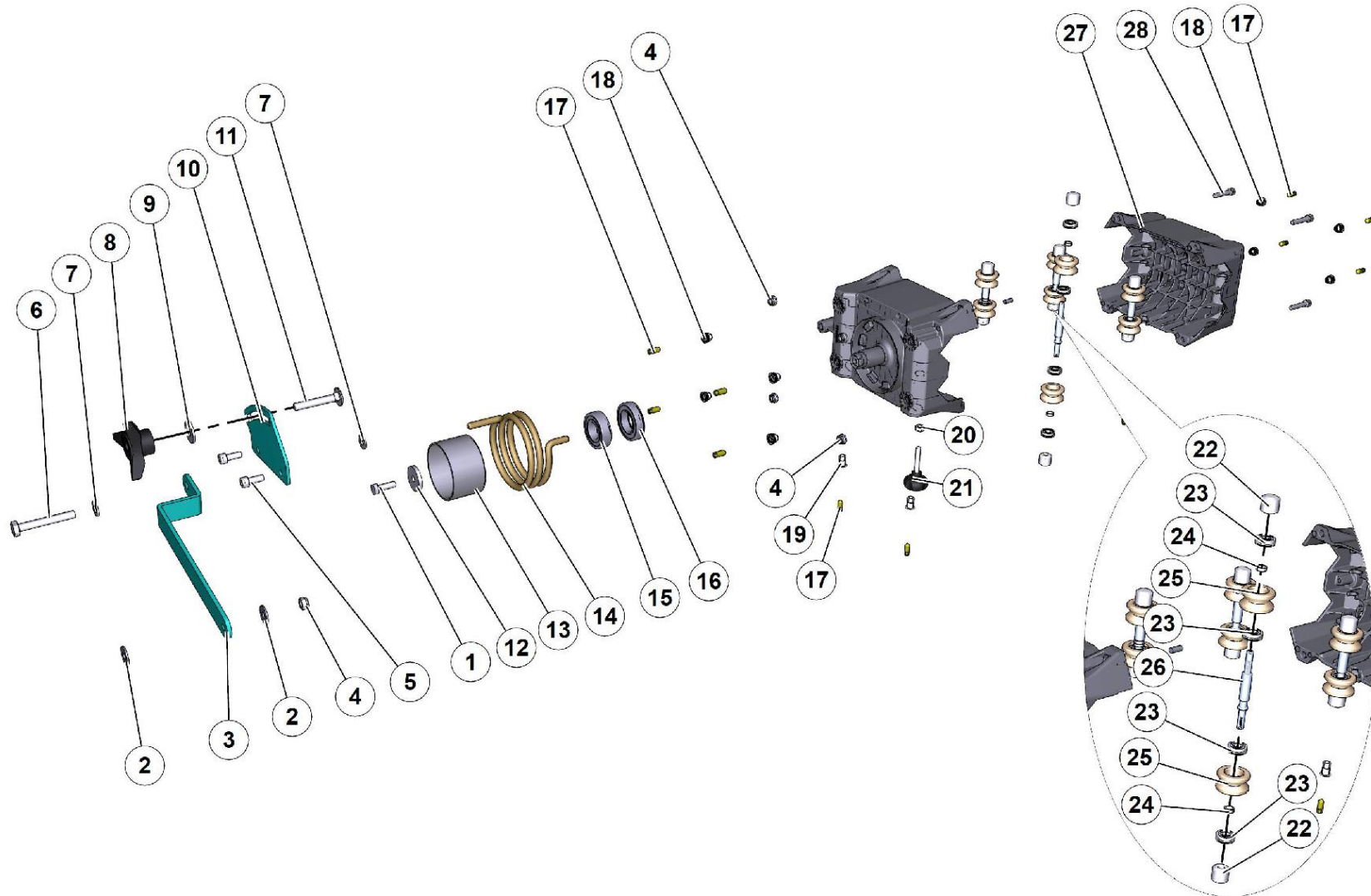
WHEEL KIT INCREASED





N.	CODE	DESCRIPTION	UM	QTY
1	2222077	SCREW		4.0
2	3235360	SMART CUT-IPOWER AXLE PLATE GALVANIZED		2.0
3	2223920	SELF-LOCKING NUT		2.0
4	2226700	SPLIT PIN		4.0
5	3209809	WHEELS		2.0
6	3235350	WHEEL AXLE SMART CUT-IPOWER GALVANIZED		1.0

CARRIAGE



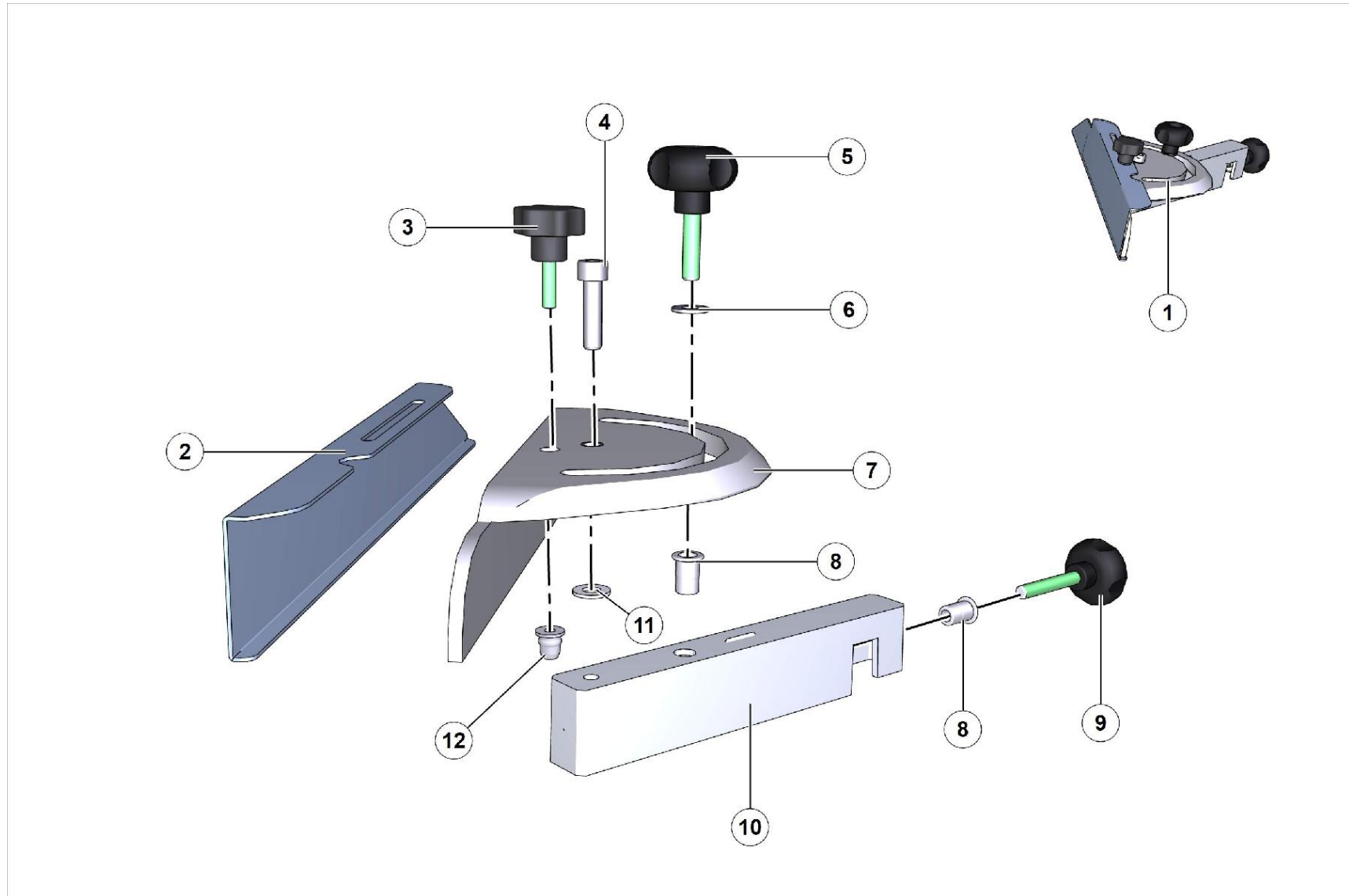


N.	CODE	DESCRIPTION	UM	QTY
1	2222076	SCREW/SAW		1.0
10	3231702	ARM LOCKING PLATE C350 iPOWER PAINTED		1.0
11	3231445	SCREW		1.0
12	3234080	WASHER 8,5x35x5 Z		1.0
13	3231981	BUSHING FOR SPRING RECH. C350 iPOWER GAL		1.0
14	3229860	SPRING RECALL C350 iPOWER		1.0
15	2204540	Bearing		1.0
16	3210629	ROLLER/SAW		1.0
17	3226230	GRUB SCREW 5927 DIAM. 8X20 Z		12.0
18	3231186	INSERT		8.0
19	2224005	THREADED INSERT M8*9418-2822*		4.0
2	2224204	ROLLER/SAW		2.0
20	2223570	NUT		1.0
21	2284864	HANDWHEEL		1.0
22	3231485	HOOD C350 iPOWER GALVANIZED		8.0
23	3204945	BEARING		16.0
24	3207393	SPACER		8.0
25	3207397	ROLLER/SAW		8.0
26	3231484	C350 iPOWER STAINLESS STEEL TROLLEY WHEE		4.0
27	3231698	RIGHT TROLLEY WORKED		1.0
28	2222514	SCREW		1.0



N.	CODE	DESCRIPTION	UM	QTY
3	3231706	LEVER FOR CRANKCASE DISC C350 iPOWER PAI		1.0
4	3210623	NUT		5.0
5	2222509	SCREW		2.0
6	2222151	SCREW TE 8.8 5737 10X 70 Z		1.0
7	2224340	ROLLER/MORTAR PUMP		2.0
8	3204743	KNOB/SAW		1.0
9	2224260	WASHER		1.0

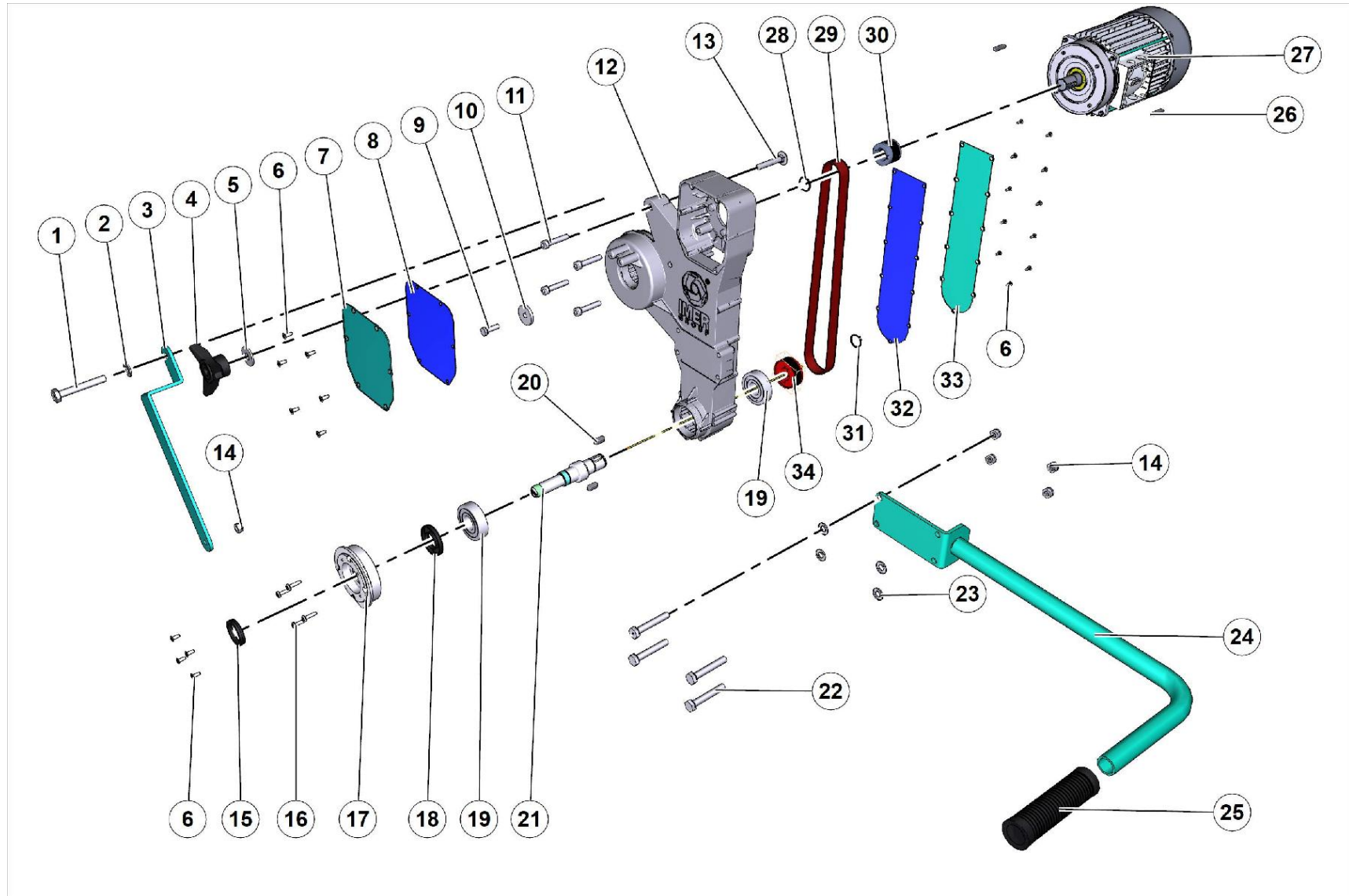
GONIOMETER





N.	CODE	DESCRIPTION	UM	QTY
1	3233387	C350 IPOWER COMPLETE PROTRACTOR		1.0
10	3226076	SUPPORT/SAW		1.0
11	3210576	WASHER		1.0
12	2224006	ENGAGEMENT		1.0
2	3226360	PROTRACTOR'S ROD/SAW		1.0
3	3223279	KNOB/SAW		1.0
4	2222513	SCREW		1.0
5	3207939	HANDWHEEL/SAW		1.0
6	2224140	ROLLER 6593		1.0
7	3226078	PROTRACTOR/SAW		1.0
8	2224005	THREADED INSERT M8*9418-2822*		2.0
9	3215014	HANDWHEEL G732-30 M08 M8X50 4 LOBI		1.0

HEAD ASSEMBLY AND ELECTRIC MOTOR





N.	CODE	DESCRIPTION	UM	QTY
1	2222151	SCREW TE 8.8 5737 10X 70 Z		1.0
10	3234080	WASHER 8,5x35x5 Z		1.0
11	2222514	SCREW		4.0
12	3231699	C350 iPOWER WISHBONE ARM WORKED		1.0
13	3231445	SCREW		1.0
14	3210623	NUT		5.0
15	3231009	V-RING SKF 35 VA R D.I. 31		1.0
16	2222466	SCREW TRILOB.TC PH M5X25 N		1.0
17	3231446	C350 IPOWVER GALVANIZED SHAFT DISC BLOCK		1.0
18	2207355	STOP RING		1.0
19	3224763	BEARING 6305 2RS1		2.0
2	2224340	ROLLER/MORTAR PUMP		1.0
20	2229450	KEY		2.0
21	3231448	BLADE SHAFT		1.0
22	2222176	SCREW		4.0
23	2224140	ROLLER 6593		4.0
24	3231427	C350 iPOWER HANDLE		1.0
25	3210954	HANDLE		1.0
26	2229310	KEY		2.0
27	3234570	ELECTRIC MOTOR 2.5KW 220-240V 50HZ MC.90		1.0
28	2227270	STOP RING		1.0



N.	CODE	DESCRIPTION	UM	QTY
29	3231443	BELT POLY-V PRET. 910 J8 EL-SPCP910J8		1.0
3	3231706	LEVER FOR CRANKCASE DISC C350 iPOWER PAI		1.0
30	3231483	PULLEY SHAFT MOTOR C350 iPOWER GALVANIZE		1.0
31	2227280	2227280 RING SNAP		1.0
32	3231441	C350 iPOWER DISC SIDE GASKET COVER		1.0
33	3231424	CARTER BELT DISC SIDE C350 iPOWER		1.0
34	3231449	PULLEY SHAFT DISC C350 iPOWER GALVANIZED		1.0
4	3204743	KNOB/SAW		1.0
5	2224260	WASHER		1.0
6	3210105	SCREW/SAW		21.0
7	3231423			1.0
8	3231440	C350 IPOWERT GASKET COVER PULLEY MOTOR		1.0
9	2222076	SCREW/SAW		1.0



Access Platform Division

Via San Francesco d'Assisi, 8 - 46020 Pegognaga (Mantova) - ITALY Tel. +39 0376
554011 - Fax +39 0376 559855

www.imergroup.com

Building Equipment Division

Via della Meccanica, 39 (Zona Industriale Sentino) - 53040 Rapolano Terme
(Siena) - ITALY - Tel. +39 0577 97341 - Fax +39 0577 704077

www.imergroup.com